

## TECHNICAL FEATURES

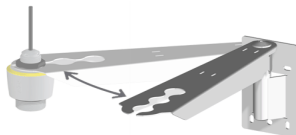
- ✓ Sensor type: Radar <25 GHz;
- ✓ Measuring range: up to 8 m , 15 m , 30 m;
- ✓ Accuracy: +/- 5 mm, +/- 2 mm, +/- 2 mm a 20°C;
- ✓ Response time: <1second;
- ✓ Output signal: 4-20 mA;
- ✓ Power supply: 10,8-30 VDC;
- ✓ Consumption: <0,8 W;
- ✓ Operating conditions: -40 to 80°C;
- ✓ Box: IP 66.



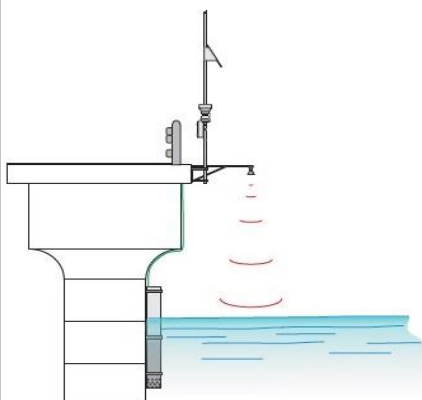
Special wall mount



Ceiling mount detail



Hinged fixing arm detail



Installation on the bridge overhang

**CE** product compliant with European directives

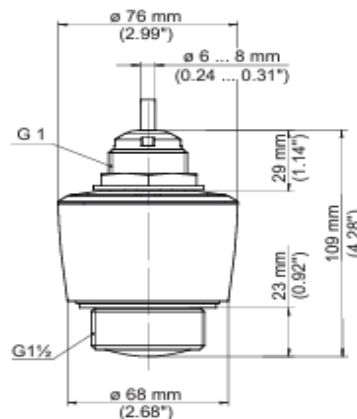


The Vega sensor for hydrometric level measurement of the VegaPuls series consists of a K-band microwave transducer housed inside an IP67/68 protected resin body.

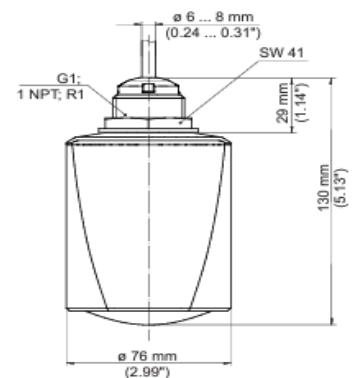
It is an ideal sensor for all applications of water level measurement in open fields or in stilling wells, at the narrow end of the microwave beam.

The measurement occurs by emitting a series of microwave pulses and detecting the time between their release and their return echo; this value is processed by the sensor electronics. Available with standard electrical output (voltage or current), easily acquired by a datalogger. The low consumption (<21mA) and the degree of protection

of the sensor, make it an ideal instrument for hydrological stations and systems for level measurement in fresh or salt water even without maintenance, remote stations for water supply and sewerage (level tank), or in other applications even in difficult conditions. Available in 3 versions for hydrometric level monitoring up to 8 m, 15 m and 30 m.



type with measuring range up to 8 and up to 15 m



type with measuring range up to 30 m