

TECHNICAL FEATURES

- ✓ reflecting quartz: dimension 25 mm;
- ✓ precision: 3";
- ✓ quartz colour: white;
- ✓ frame material: glossy/anodised aluminium;
- ✓ maximum range: up to 500 m (depends on instrument used);
- ✓ fixing: 42x40 mm fixing plate, with 6 mm central hole and 3 mm diameter corner holes.



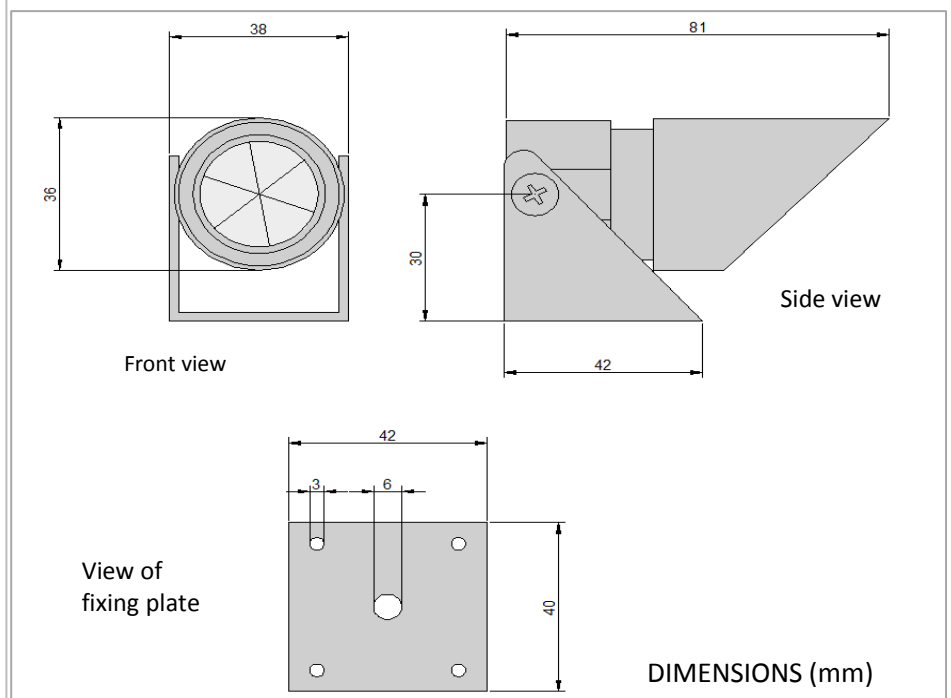
Consists of a white coloured, 25 mm diameter reflecting quartz fitted on glossy/anodised aluminium frame.

automatic monitoring systems with robotic stations for periodic measurements.

Structure, consisting of a removable adjustable oblique cap for protection from the sun rays, rain, snow, fitted on U-shaped adjustable bracket.

Offset +17.5 mm (the orientation of the miniprism must remain fixed after installation).

Ideal for installation in urban areas (thanks to its special shape, it adapts perfectly) and designed for use in



We reserve the right to modify our products and the specifications without prior notification.