

TECHNICAL FEATURES

- ✓ reflecting quartz: dimension 25 mm;
- ✓ precision: 3";
- ✓ quartz colour: bronzed;
- ✓ frame material: yellow ABS;
- ✓ maximum range: up to 120 m (depends on instrument used);
- ✓ fixing mechanism: peg type with 12 mm diameter, suitable for pins with bayonet type fitting.



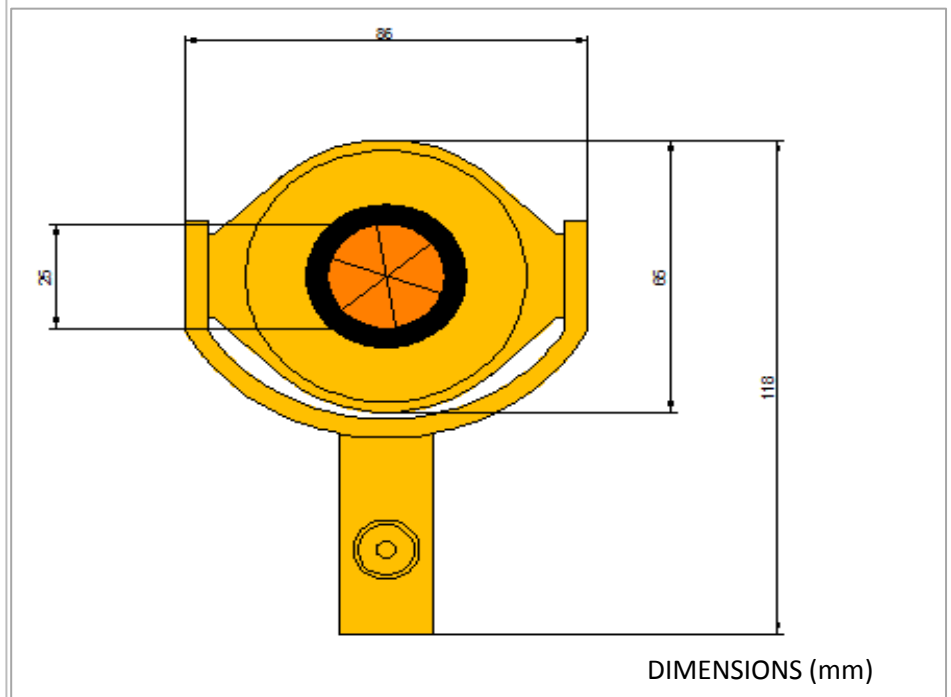
Consists of a copper coloured or white coloured, 25 mm diameter precision reflecting quartz fitted on yellow ABS structure.

Structure, consisting of a frame with clearly visible swivel target. The range varies depending on the total station model and the efficiency of the distance meter.

In standard conditions the reading may

reach up to 120 m. Ideal for measurement in difficult to reach areas (mountains, woods, steep paths) where the minimum weight is a decisive factor.

The lower fitting is of the peg type with 12 mm diameter, suitable for pins with bayonet type fitting.



We reserve the right to modify our products and the specifications without prior notification.