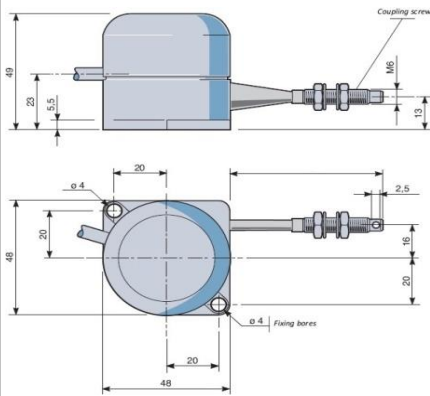


TECHNICAL FEATURES

- ✓ Type of sensor: rotative potentiometer;
- ✓ Linearity: +/- 0,25 % F.S.;
- ✓ Resolution: virtually infinite;
- ✓ Output signal: 0-10 V DC;
- ✓ Measuring range: 50/100/200/900 mm;
- ✓ Electrical power supply: +10...30 VDC;
- ✓ Protection class: IP 54;
- ✓ Operating temperature: -10°/+70°C;
- ✓ Wire: nylon coated stainless steel AISI 316;
- ✓ Material case: PBT;
- ✓ Wire tension: 2,4 N (+/- 30%).



dimension case

The wire extensometer is constituted by a rotary precision potentiometer operated by winding or unwinding a stainless steel wire, tensioned through the use of a spring.

Any movement of the wire anchoring point results in a variation of electrical signal proportional to anchor

displacement itself.

Available in three F.S.: 50, 100, 200 mm in function of the degree of displacement which is to be measured.

Used for structural joints fit, cracks and construction joints.

We reserve the right to modify our products and their specifications without prior notice

GEOMETRIC SPECIFICATIONS	
dimension case mm	48x48x49
wire diameter mm	0,85