

TECHNICAL FEATURES

- ✓ Reflective quartz: 25 mm;
- ✓ Accuracy: 5";
- ✓ Quartz color: copper;
- ✓ Frame material: black powder coated aluminium;
- ✓ Range: up to 500 m (depending on the reader used);
- ✓ Mounted on floor /wall: using 8 mm. anchor

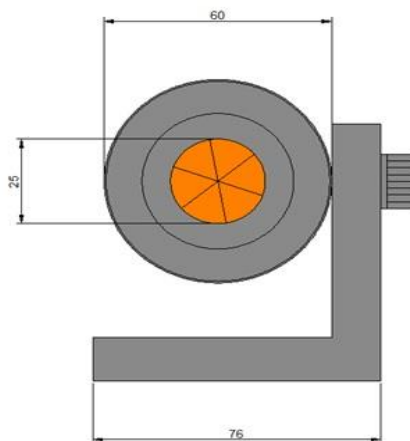


The mini prism is made up of a 25 mm diameter precision crystal, with frame in black powder coated aluminium. Ideal for any type of installation, ensures maximum range (according to the instrument used) up to 500 m.

of the installation: if monitored via instrument in mobile position, use constant + 17.5 mm, while in fixed position on a pole the constant to use is + 9.1 mm.

With L shaped bracket for fixed installations, 10 mm diameter through hole for anchoring. The prism offset depends on the position

DIMENSIONS (mm)



CE product compliant with European directives

We reserve the right to carry out modifications to our products and their